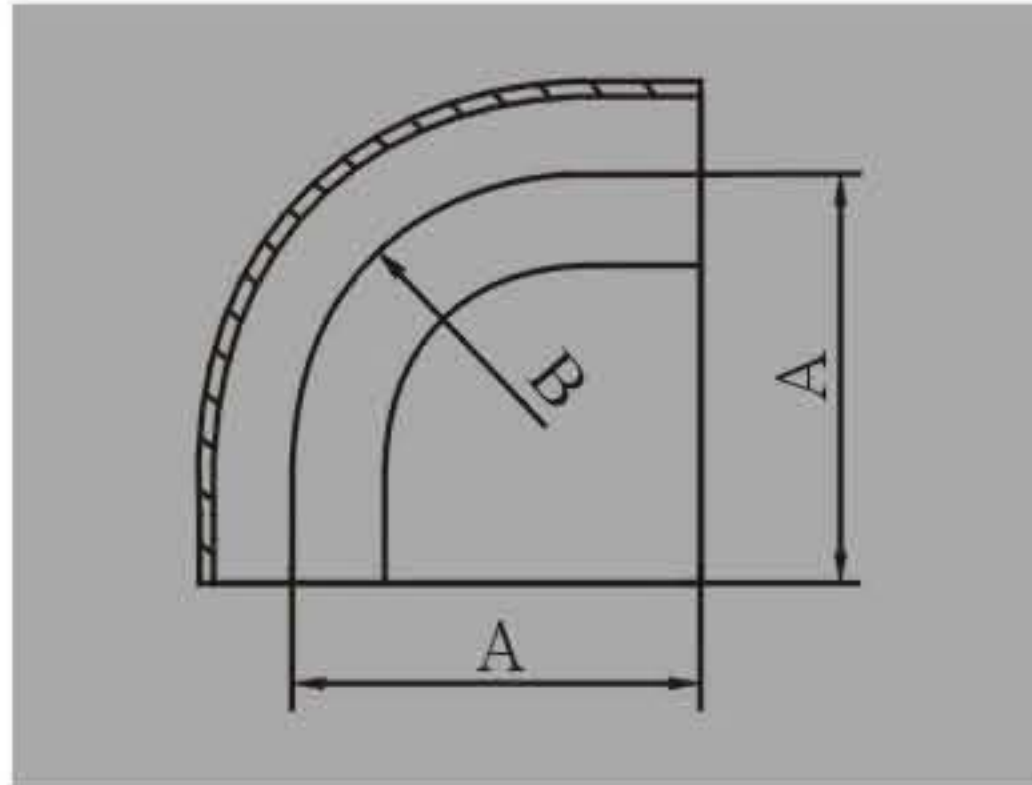


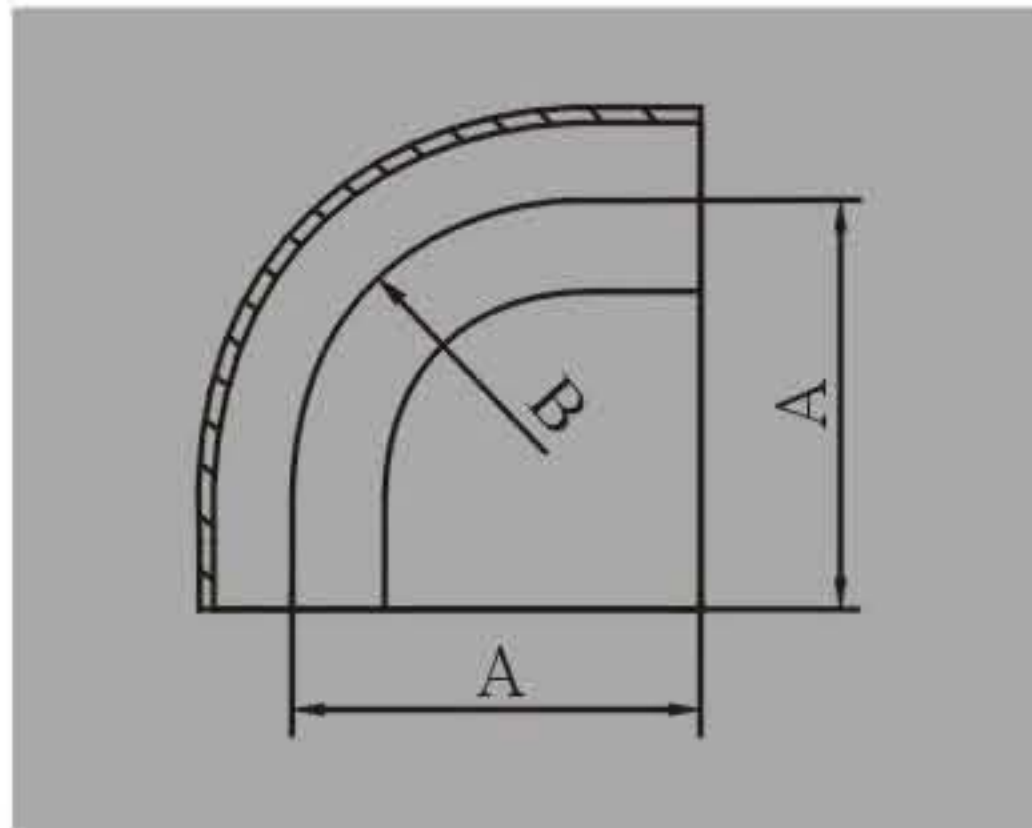


90° 弯头 90° elbow



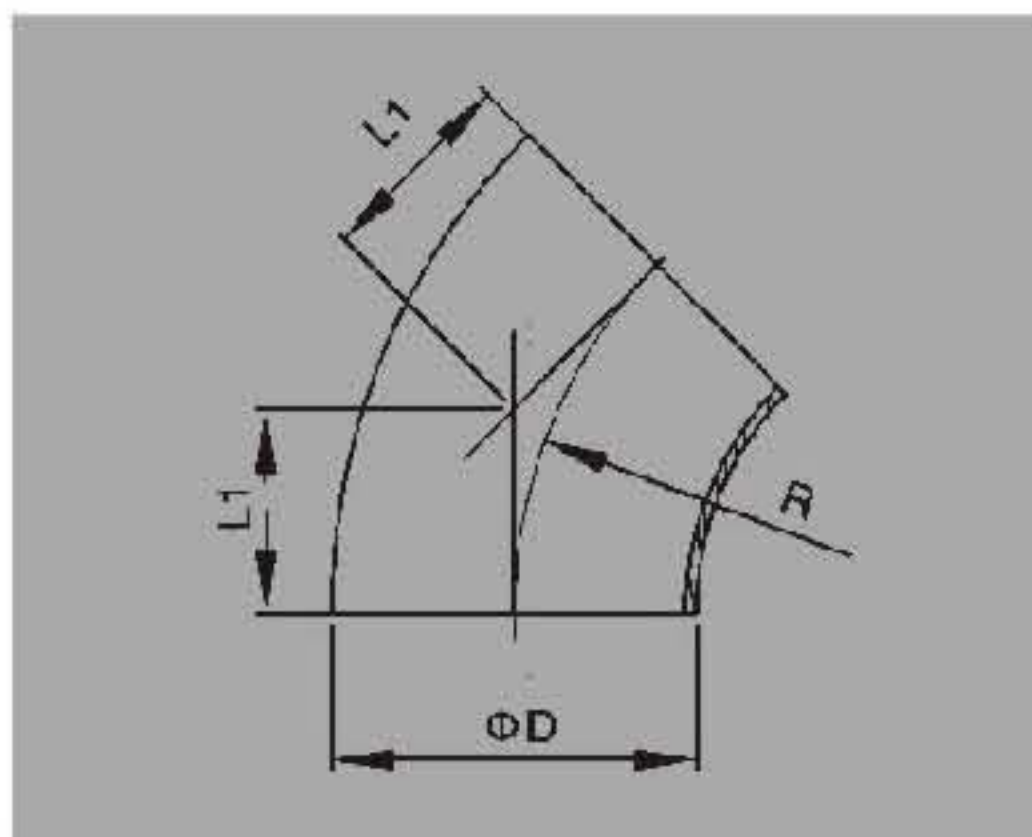
SIZE	A	B
1.0"	43.5	38.1
1.5"	63.5	57.2
2.0"	88.5	76.2
2.5"	113.5	95.3
3.0"	133.5	114.3
4.0"	173.5	152.4

90° 弯头 (带直部) 90° elbow with straight ends



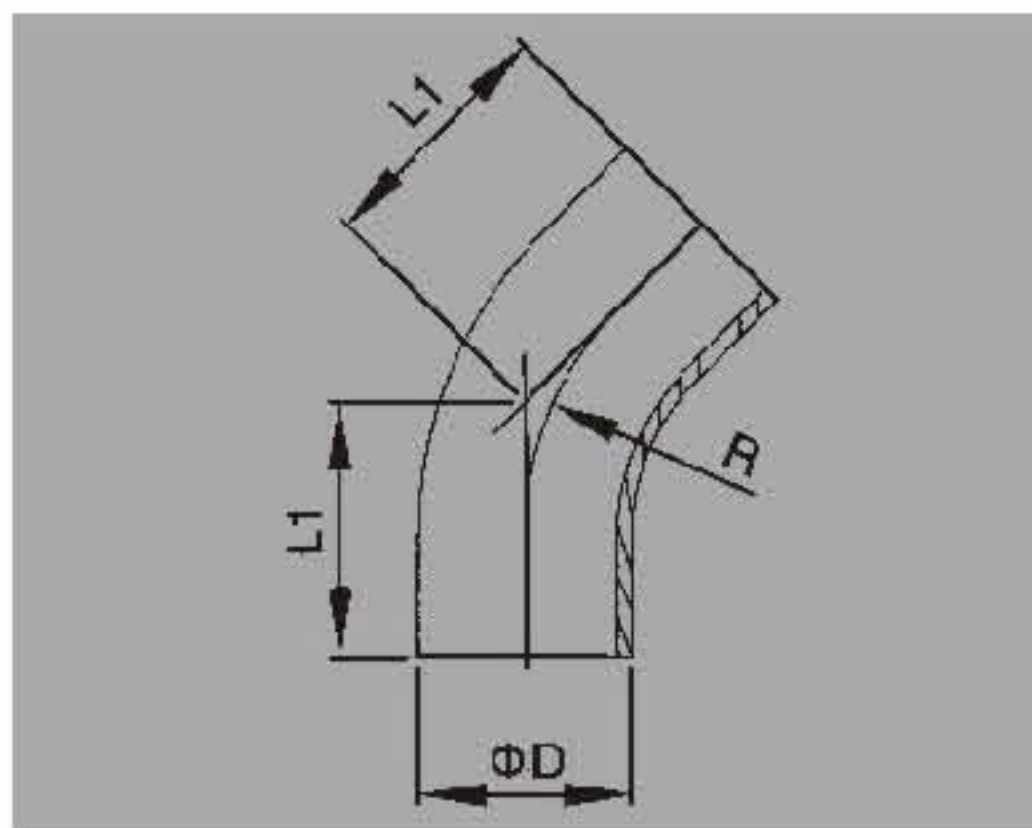
SIZE	A	B
1.0"	65	38.1
1.5"	85	57.2
2.0"	110	76.2
2.5"	135	95.3
3.0"	155	114.3
4.0"	195	152.4

45° 弯头 45° Elbow



SIZE	L1	D	R
1"	15.8	25.4	38.1
1 1/2"	23.7	38.1	57.2
2"	31.8	50.8	76.2
2 1/2"	39.6	63.5	95.3
3"	47.5	76.2	114.3
4"	63.2	101.6	152.4

45° 弯头(带直部) 45° Elbow with straight ends

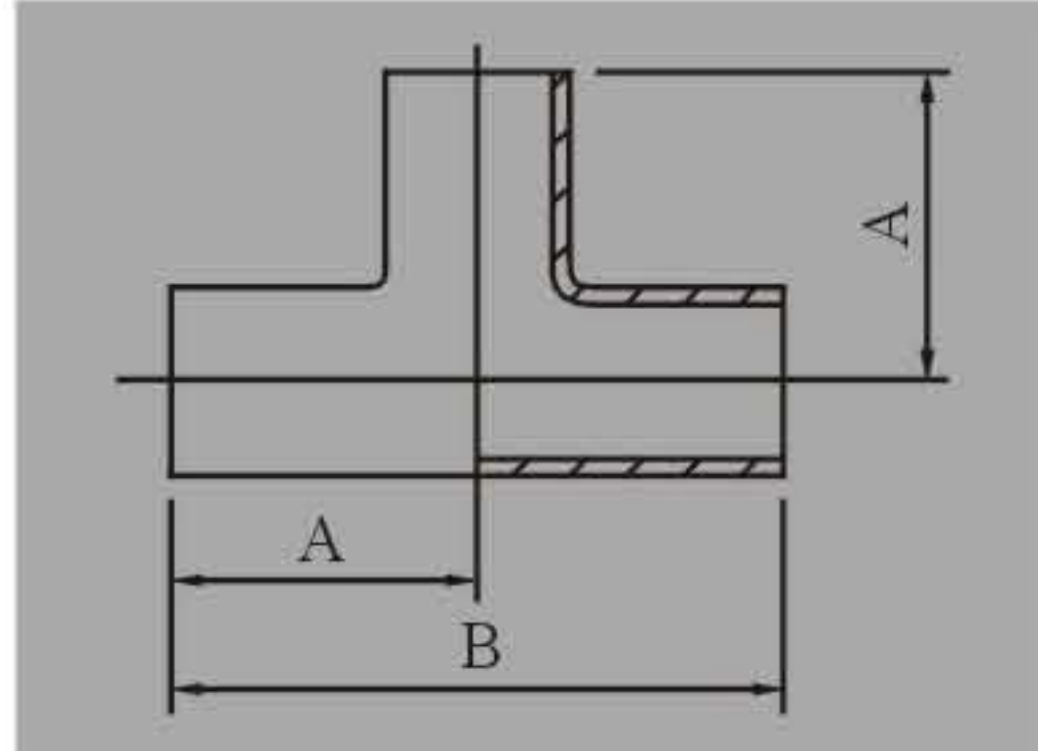


SIZE	L1	D	R
1"	30.2	25.4	38.1
1 1/2"	41.3	38.1	57.2
2"	58.7	50.8	76.2
2 1/2"	76.2	63.5	95.3
3"	93.7	76.2	114.3
4"	122.2	101.6	152.4

SANITARY GRADE PIPE FITTING

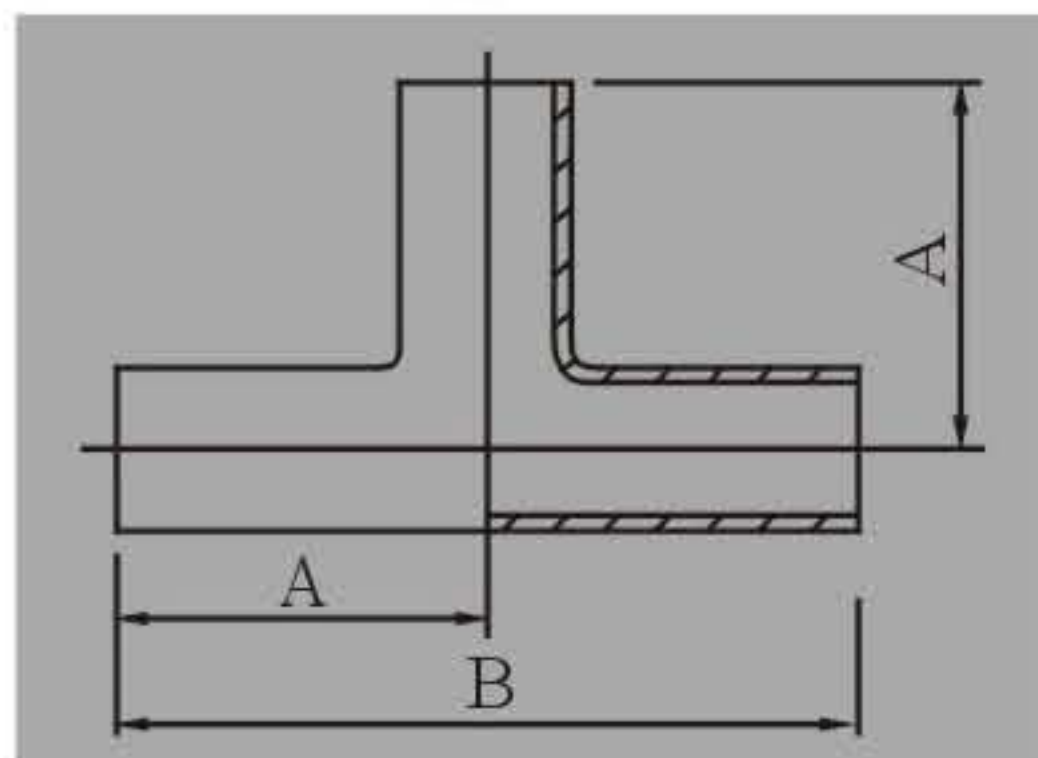
卫生级管道配件

焊式短三通 Short tee



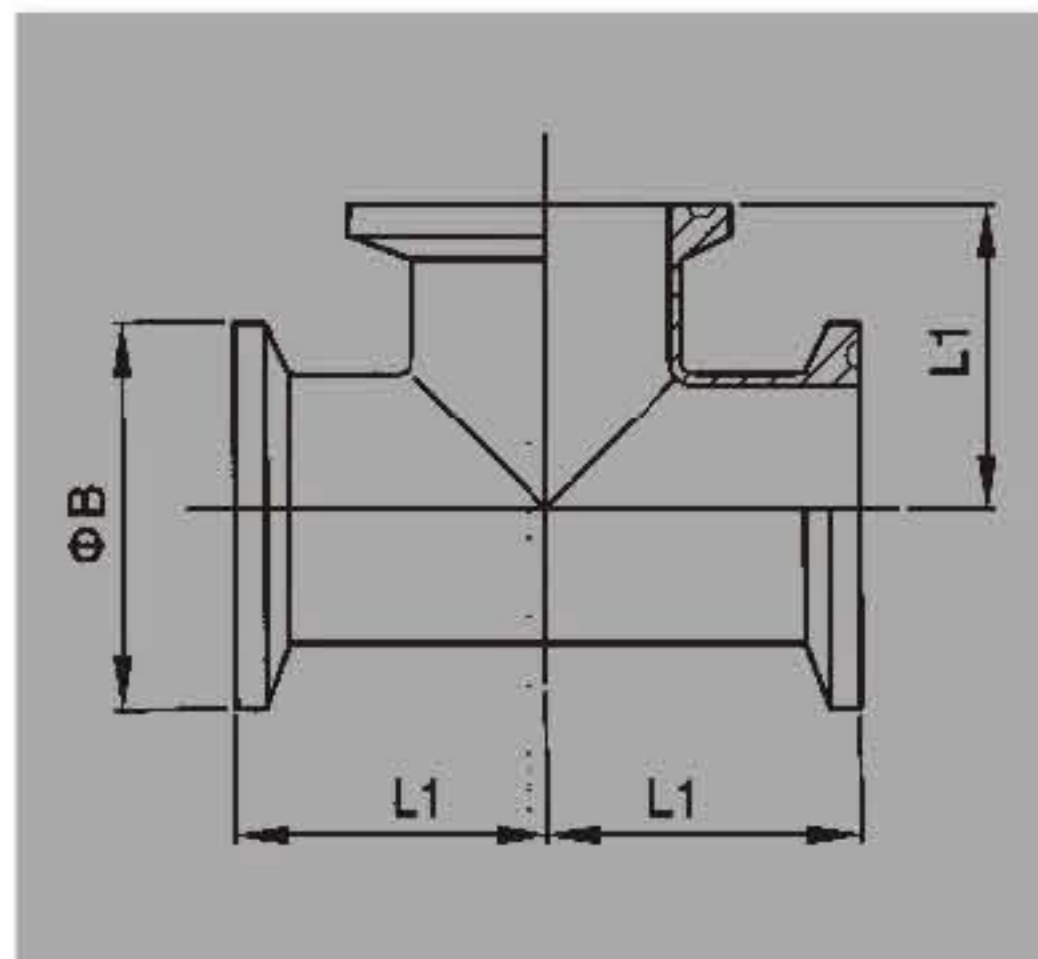
SIZE	A	B
1.0"	43.5	87
1.5"	63.5	127
2.0"	88.5	177
2.5"	113.5	227
3.0"	133.5	267
4.0"	173.5	347

长三通 Long tee



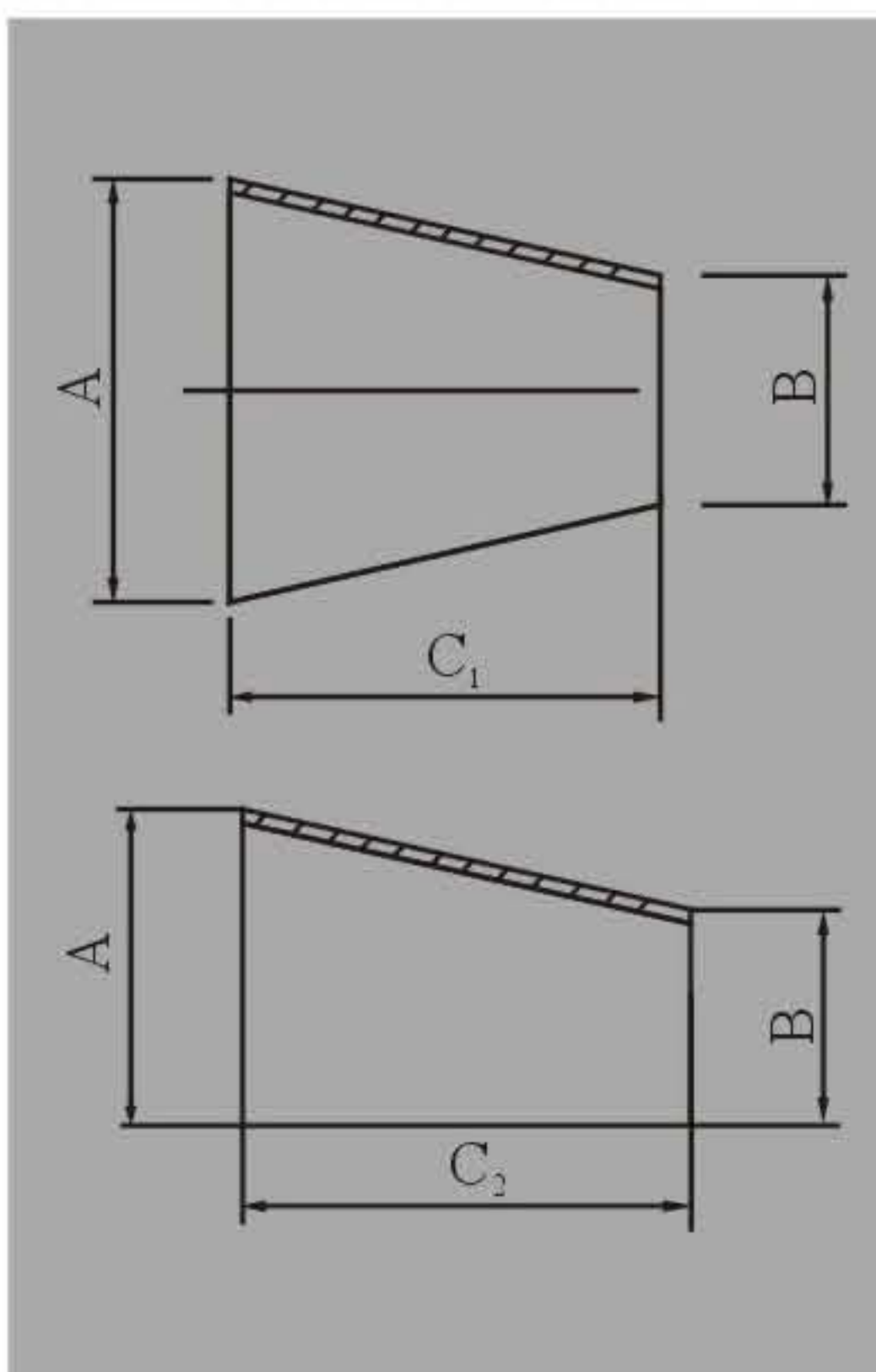
SIZE	A	B
1.0"	65	130
1.5"	85	170
2.0"	110	220
2.5"	135	270
3.0"	155	310
4.0"	195	390

卡箍式三通 Clamped Tee



SIZE	L1	B
1/2"	57.2	25.4
3/4"	60.3	25.4
1"	66.7	50.5
1.5"	73.0	50.5
2"	85.7	64.0
2.5"	92.1	77.5
3"	98.4	91.0
4"	120.7	119.0

同心大小头/偏心大小头 Concentric reducer / Eccentric reducer



SIZE	A	B	C ₁	C ₂
1.5" × 1.0"	38.1	25.4	29	35
2.0" × 1.0"	50.8	25.4	53	54
2.0" × 1.5"	50.8	38.1	41	36
2.5" × 1.0"	63.5	25.4	82	76
2.5" × 1.5"	63.5	38.1	64	66
2.5" × 2.0"	63.5	50.8	40	35
3.0" × 1.0"	76.2	25.4	110	112
3.0" × 1.5"	76.2	38.1	81	78
3.0" × 2.0"	76.2	50.8	55	66
3.0" × 2.5"	76.2	63.5	41	44
4.0" × 1.0"	101.6	25.4	160	155
4.0" × 1.5"	101.6	38.1	135	122
4.0" × 2.0"	101.6	50.8	106	97
4.0" × 2.5"	101.6	63.5	76	73
4.0" × 3.0"	101.6	76.2	53	77