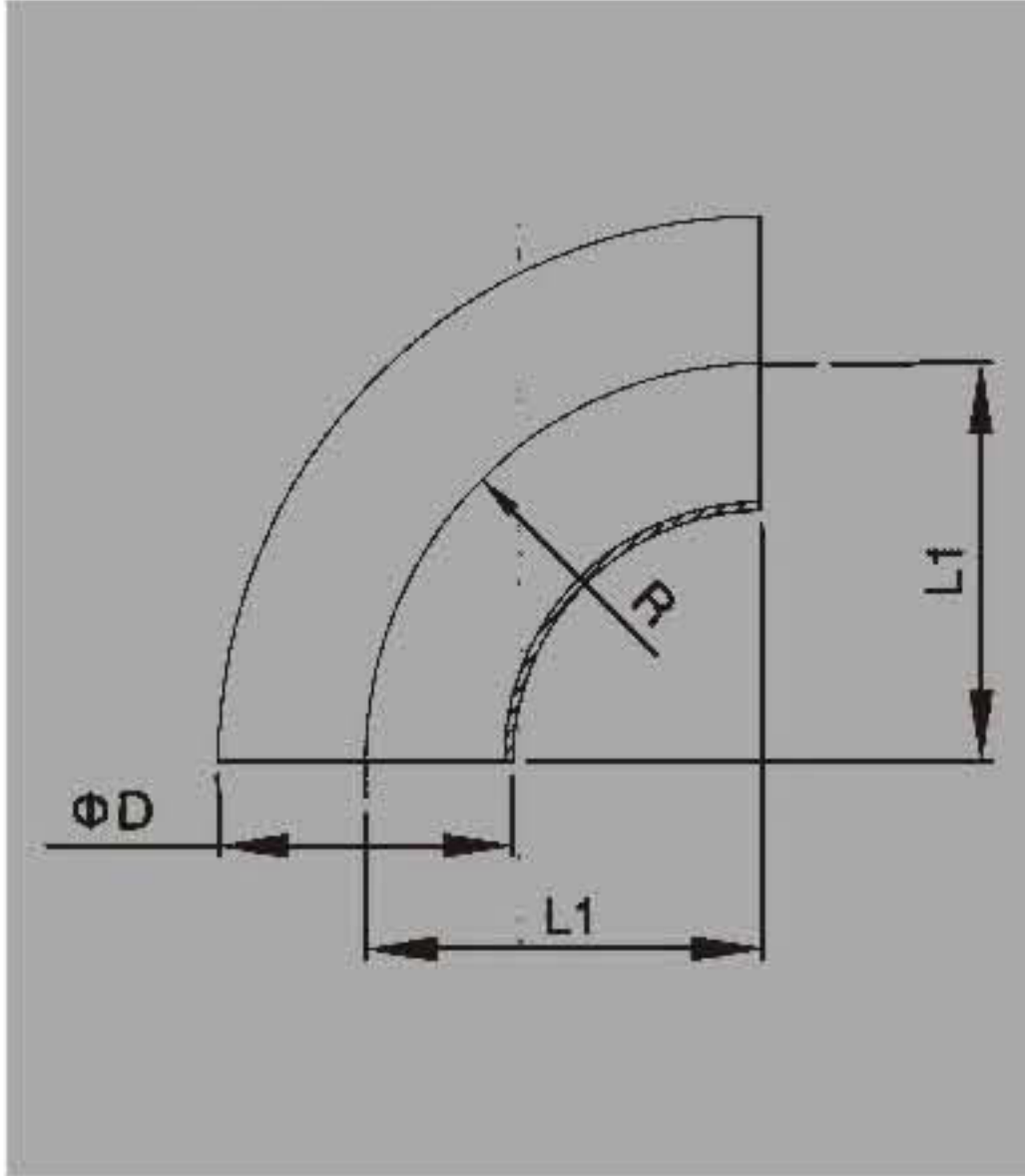


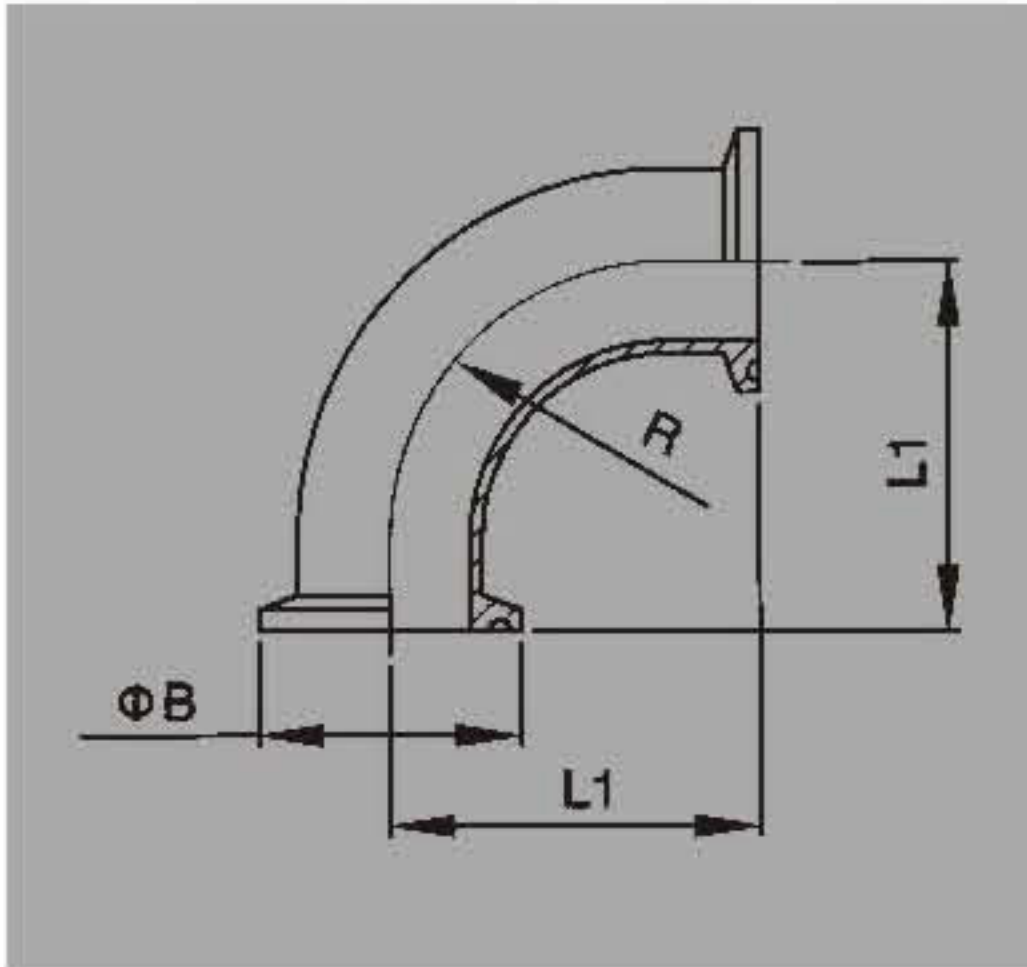


90° 弯头 90° Elbow



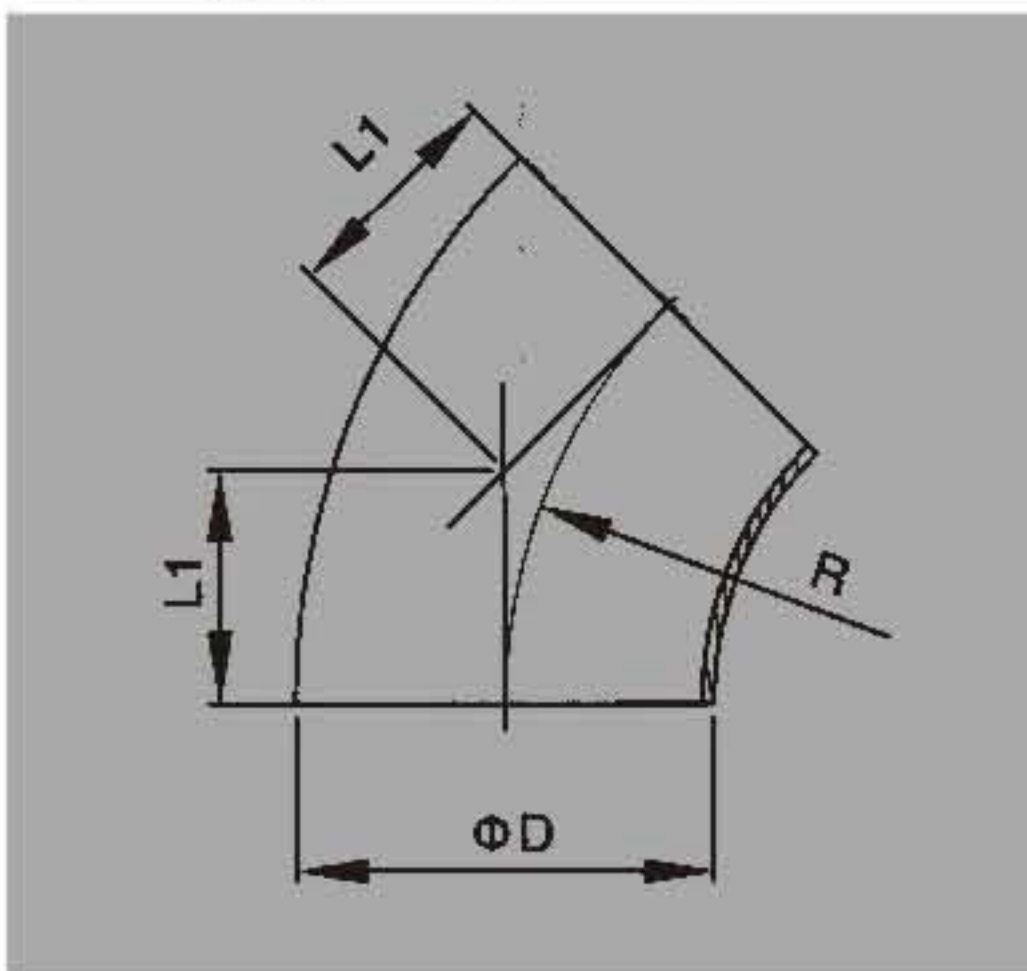
SIZE	L1	D	R
1"	33.5	25.4	33.5
1 1/2"	48.5	38.1	48.5
2"	60.5	50.8	60.5
2 1/2"	83.5	63.5	83.5
3"	88.5	76.2	88.5
3 1/2"	103.5	89.0	103.5
4"	127.0	101.6	127.0
4 1/2"	152.4	114.3	152.4
5"	190.5	133.0	190.5
6"	228.6	159.0	228.6

90° 卡箍式弯头 90° Clamped Elbow



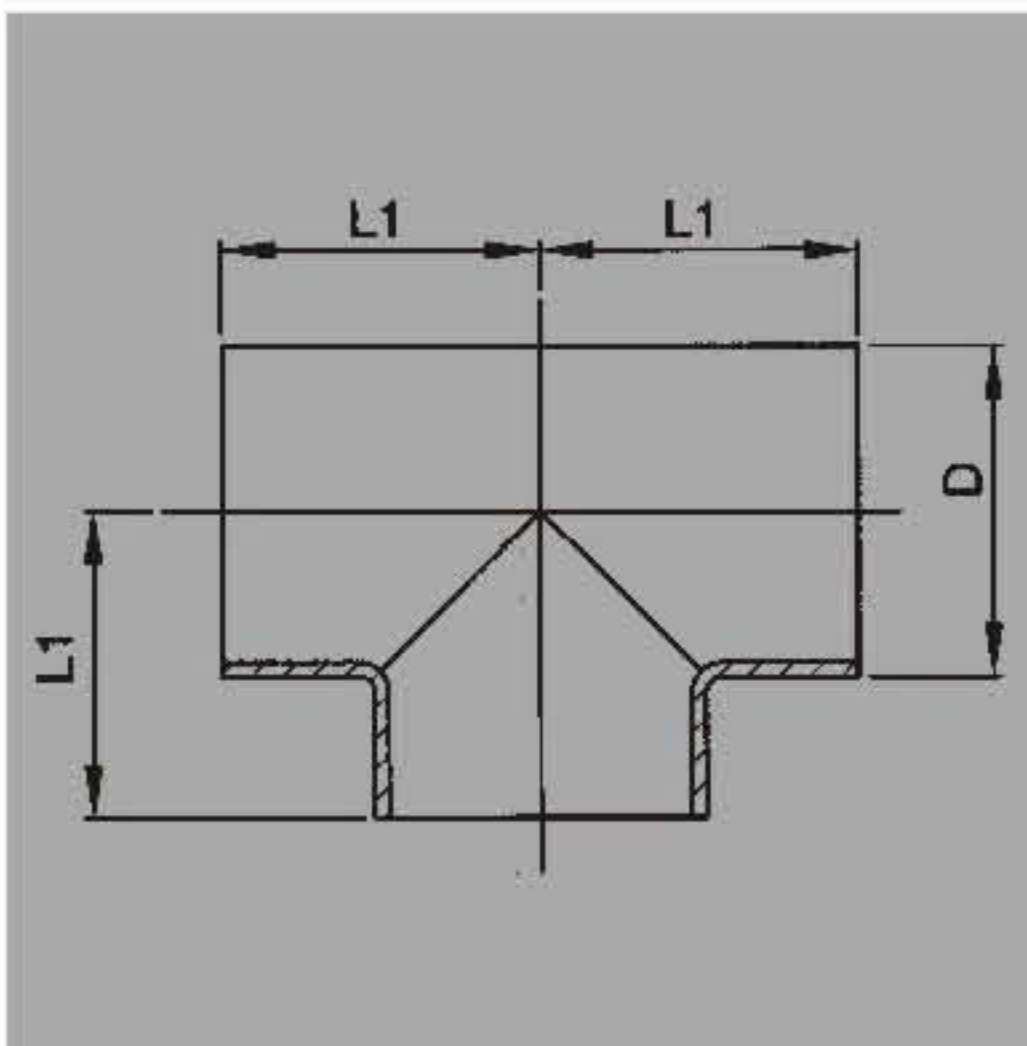
SIZE	L1	B	R
φ25	55.0	50.5	33.5
φ32	59.5	50.5	38.0
φ38	70.0	50.5	48.5
φ51	82.0	64.0	60.5
φ63	105.0	77.5	83.5
φ76	110.0	91.0	88.5
φ89	125.0	106.0	103.5
φ102	148.5	119.0	127.0

45° 弯头 45° Elbow



SIZE	L1	D	R
1"	13.9	25.4	33.5
1 1/4"	15.7	32.0	38.0
1 1/2"	20.1	38.1	48.5
2"	25.1	50.8	60.5
2 1/2"	34.6	63.5	83.5
3"	36.7	76.2	88.5
3 1/2"	42.9	89.0	103.5
4"	52.6	101.6	127.0

三通 Welded Tee

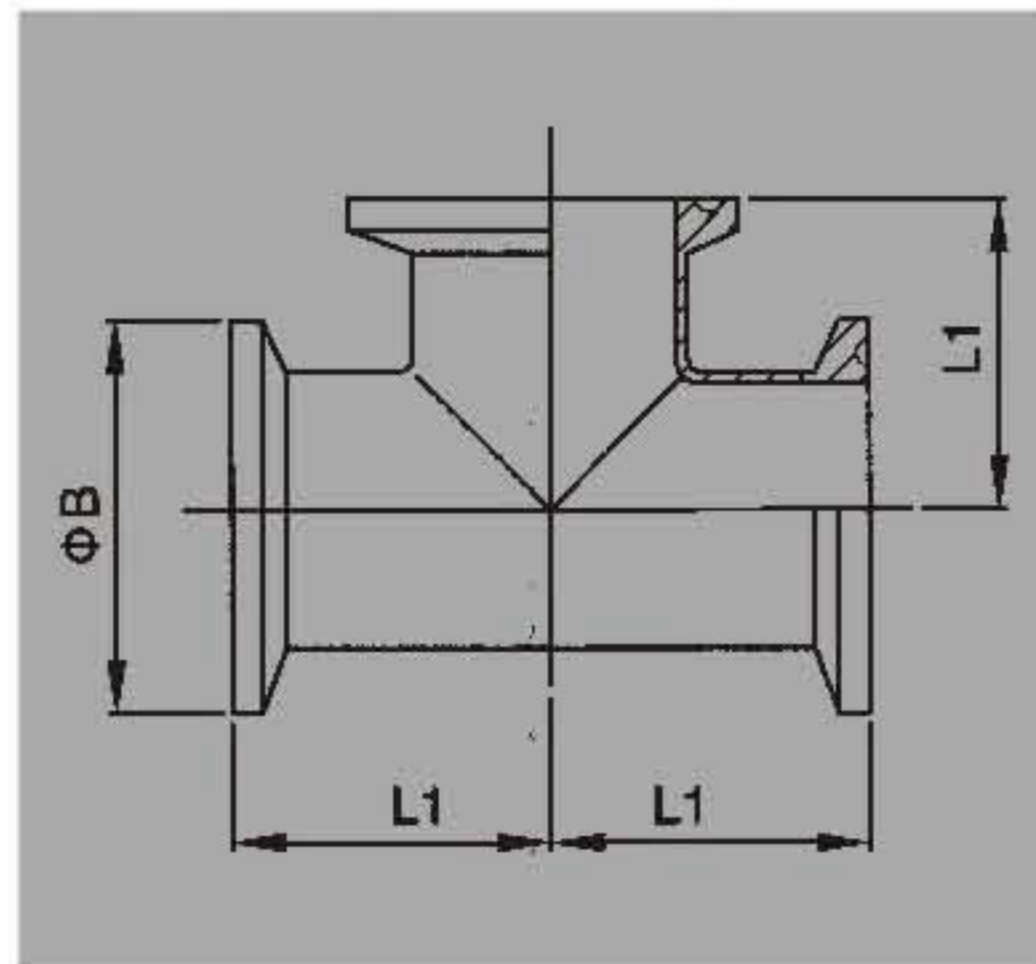


SIZE	L1	D
1"	33.5	25.4
1 1/2"	48.5	38.1
2"	60.5	50.8
2 1/2"	83.5	63.5
3"	88.5	76.2
3 1/2"	103.5	88.9
4"	127.0	101.6
4 1/2"	152.4	114.3
6"	228.6	159.0

ISO SANITARY GRADE PIPE FITTING

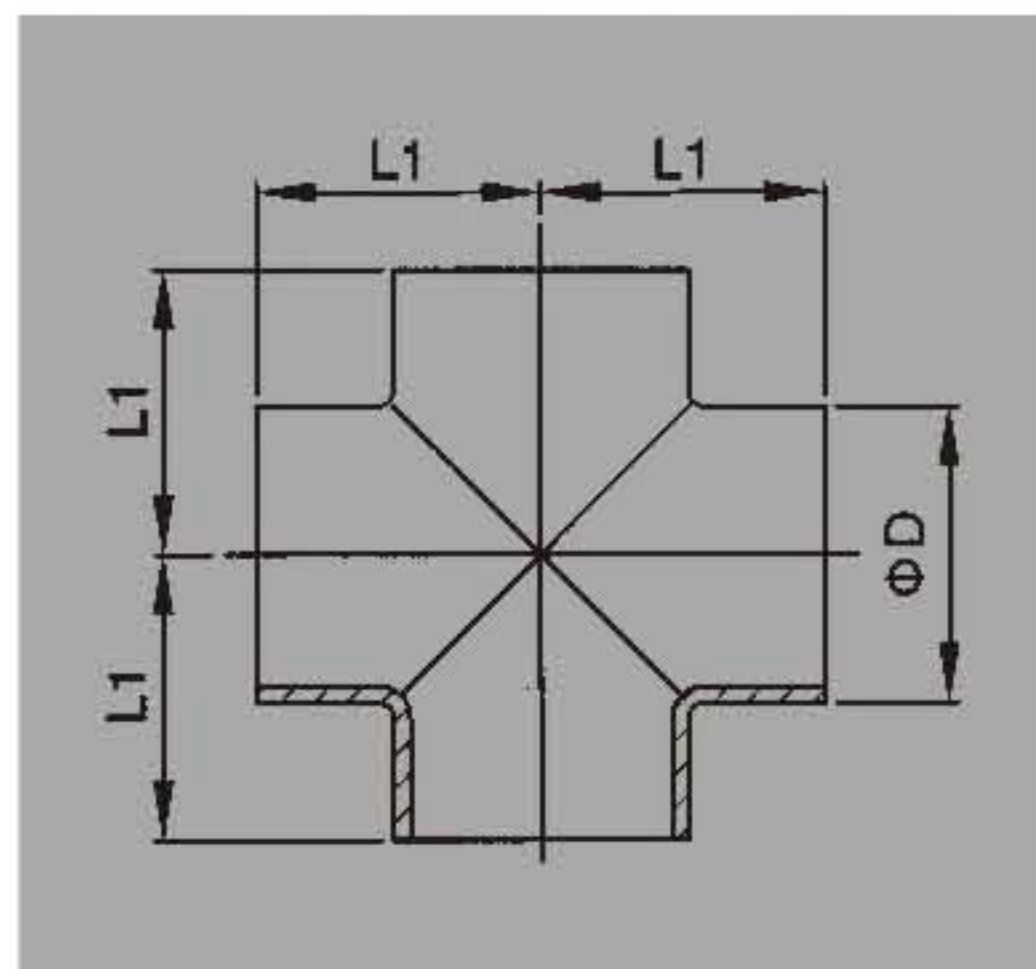
卫生级管道配件 (ISO)

卡箍式三通 Clamped Tee



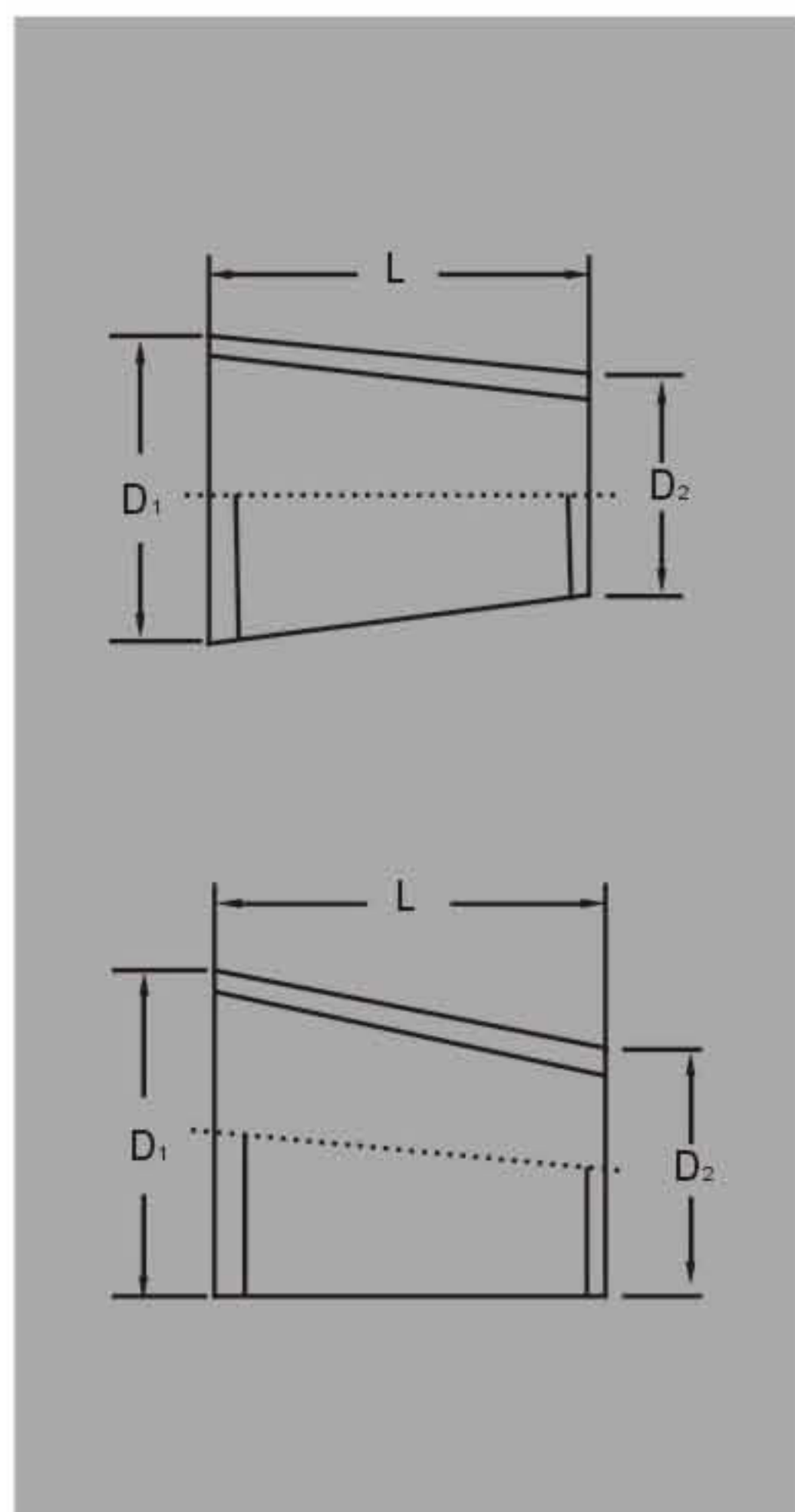
SIZE	L1	B
1"	55.0	50.5
1 1/4"	59.5	50.5
1 1/2"	70.0	50.5
2"	82.0	64.0
2 1/2"	105.0	77.5
3"	110.0	91.0
3 1/2"	125.0	106.0
4"	148.5	119.0

焊接式四通 Welded Cross



SIZE	L1	D
1"	33.5	25.4
1 1/4"	38.0	32.0
1 1/2"	48.5	38.0
2"	60.5	51.0
2 1/2"	83.5	63.5
3"	88.5	76.0
3 1/2"	103.5	89.0
4"	127.0	101.6

焊接式同心大小头 / 偏心大小头



Concentric Reducer / Eccentric reducer

SIZE	D1	D2	L
1.5" x 1"	38.1	25.4	50
1.5" x 1.25"	38.1	31.8	67
1.5" x 1"	38.1	25.4	67
2" x 1.5"	50.8	38.1	67
2" x 1.25"	50.8	31.8	67
2" x 1"	50.8	25.4	67
2.5" x 2"	63.5	50.8	67
2.5" x 1.5"	63.5	38.1	67
2.5" x 1.25"	63.5	31.8	67
2.5" x 1"	63.5	25.4	67
3" x 2.5"	76.1	63.5	67
3" x 2"	76.1	50.8	67
3" x 1.5"	76.1	38.1	67
3.5" x 3"	88.9	76.1	67
3.5" x 2.5"	88.9	63.5	67
3.5" x 2"	88.9	50.8	67
4" x 3.5"	101.6	88.9	102
4" x 3"	101.6	76.1	102